

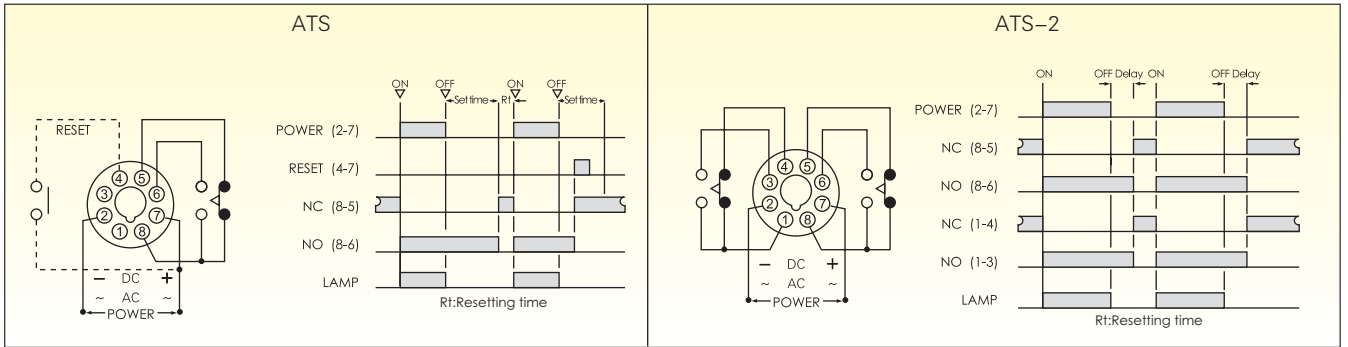


- Delay time ranges from 0.5 sec to 10 min can be adjusted
- Large transparent knob for time setting
- 1C instantaneous and 1C time-limit output contacts upon clients' request
- 2C time-limit output contacts upon clients' request

SPECIFICATIONS

FULL TIME RANGE		SEC: 1, 2, 3, 6, 10, 30, 60 MIN: 3, 6, 10	
RATED VOLTAGE		DC(V): 12, 24, 48 AC(V): 12, 24, 48, 110, 220, 240, 380, 415, 440, 50/60Hz	
INDICATOR OPERATING		Power on	
o/p C O N T A C T	MODEL	ATS	ATS-2
	TIME LIMIT 1C	1A	
	TIME LIMIT 2C		0.5A
	INSTANTANEOUS 1C		
LIFE	MECHANICAL	10 ⁵ times	
	ELECTRICAL	5 x 10 ⁶ times	
RESET TIME		0.3 sec max	
CONSUMED POWER		3VA	
AMBIENT TEMPERATURE		-10°C~ + 55°C	
AMBIENT HUMIDITY		45~85%RH	
WEIGHT		Approx. 160g	

CONNECTION DIAGRAMS & TIMING CHARTS



DIMENSION

