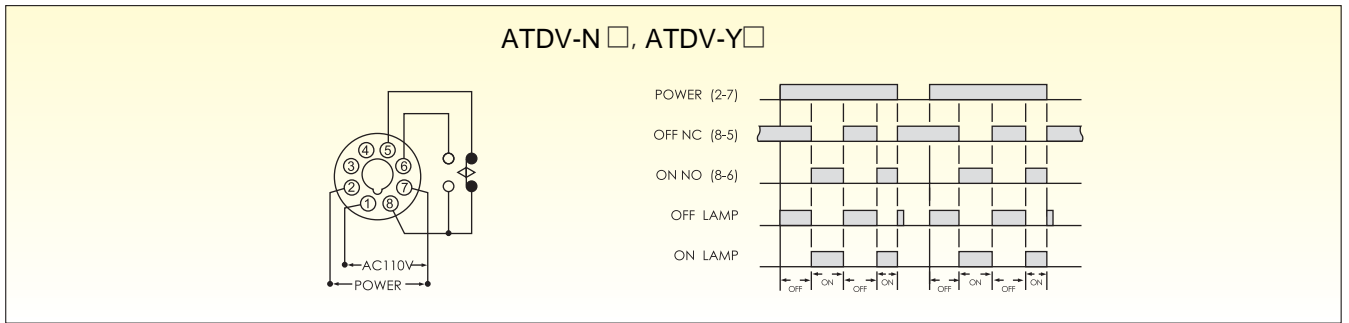


- Using CMOS IC lower power consumption high reliability and stability
- ON-OFF timing adjustable individually repeat operation
- Two LEDs provide status indication for ON-OFF operations
- 16 different time ranges from 1sec to 30hrs available
- 5(A, B, C, D, E) timing series available

SPECIFICATIONS

FULL TIME RANGE		A : 1S, 10S, 1M, 10M B : 3S, 30S, 3M, 30M C : 6S, 60S, 6M, 60M D : 1M, 10M, 1H, 10H E : 3M, 30M, 3H, 30H Single cycle Type(T), Reverse Type(K) are available	
RATED VOLTAGE		AC(V): 110V/220V, 110V/240V, 50/60Hz	
INDICATOR OPERATING		OFF-ON Operating	
o/p C O N T A C T	MODEL	ATDV-N	ATDV-Y
	TIME LIMIT 1C	5A	5A
	TIME LIMIT 2C		
	INSTANTANEOUS 1C		
LIFE	MECHANICAL	5 x 10 ⁶ times	
	ELECTRICAL	10 ⁵ times	
RESET TIME		0.2 sec max	
CONSUMED POWER		2VA	
AMBIENT TEMPERATURE		-10°C ~ + 55°C	
AMBIENT HUMIDITY		45~85%RH	
WEIGHT		Approx. 220g	

CONNECTION DIAGRAMS & TIMING CHARTS



DIMENSION

